



- A universal solution that spans commercial to recreational boat installation. Providing a trusted MOB system for crew to immediately raise the alarm in the event of witnessing a man over board incident.
- The main unit supports up to six zones.
- Each zone can contain one or more activation switches.
- Audible buzzer raises the alarm throughout the vessel.
- LED lights indicate the zone the MOB push button activity originated from.
- A siren output port on the rear panel of the main MOB unit can operate additional alarm sounders as an option if required.
- Located on the rear of the main unit, a momentary push 'test button' simulates an MOB event in zone 1. A convenient way to perform a routine test onboard.

The MOB system comprises of the following sub components:

- The Main Unit
- The Man Over Board Activation Switches
- The Bridge Repeater Box

The main unit supports up to six zones. Each zone can contain one or more activation switches.

In the event of a man over board incident occurring, the ship's crew can push any activation switch. The activation switch is a mushroom actuator pushed in to activate and twisted to reset.

The front panel of the main unit contains six LED indicators. Each LED indicates the status of a zone. If any zone is activated, the corresponding LED illuminates to indicate the activated zone. If there is no activity, then all LEDs remain off.

Besides LED indicators, an alarm located in the main unit generates an audible tone when any zone is activated.

The main unit contains a +24V 75W universal input power supply used to provide electrical power to the entire MOB system. It also contains the electronics for monitoring switch activity.

The bridge repeater box, powered from the main unit, contains replication of the LED indicators and buzzer found in the main unit.

# SEAMAP MAN OVERBOARD SYSTEM



## VESSEL SAFETY EQUIPMENT

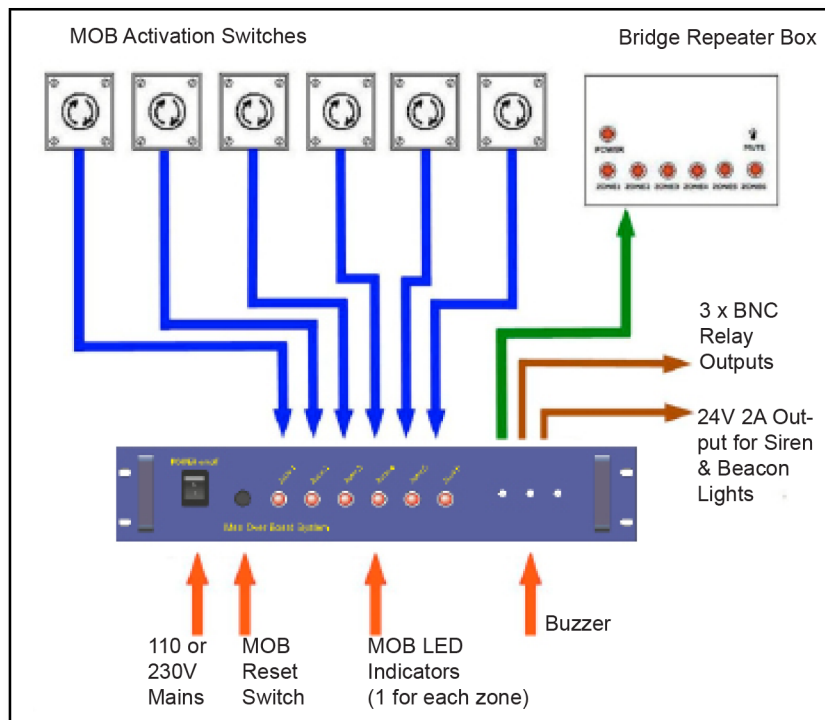
### Specifications:

Main Unit	
Input Power/Voltage	75W Maximum/110V to 240VAC 50/60Hz
Dimensions	19 Inch Rack, 2U
Visual Warning	1 LED Per Zone - Total of 6 Zones
Audio Warning	2 Tone Buzzer
Siren Output	+24 2A Maximum - Fuse Protected

Bridge Repeater Box	
Dimensions	51mm x 103mm x 140mm (H x W x D)
Visual Warning	1 LED Per Zone - Total of 6 Zones
Audio Warning	2 Tone Buzzer

Cable Length	
Main Unit / MOB Activation Switch	Minimum 22 AWG @ 100m
Main Unit / Bridge Repeater Box	Minimum 22 AWG @ 100m

### MOB Overview:



#### Seamap (U.K.) Ltd.

Unit 34, The Maltings, Charlton Estate  
Shepton Mallet, Somerset, BA4 5QE, U.K.  
Tel: +44 [0] 1749 342223  
Fax: +44 [0] 1749 347588  
email: seamapsales@mind-technology.com

#### Seamap Pte Ltd.

51 Changi North Crescent  
Singapore 499626  
Tel: +65 6545 1054  
Fax: +65 6545 0585

#### MIND Technology

2002 Timberloch Place, Suite 550  
The Woodlands, TX 77380  
United States of America  
Tel: +1 281-353-4475

Seamap (U.K.) Ltd., Seamap Inc., Seamap Pte Ltd (hereafter Seamap) reserves the right to make any changes without notice to any of the products herein at its discretion. Seamap does not assume any liability arising out of the application or use of any product described herein; neither does it convey any license under its patent rights nor the rights of any others. All product names referenced herein are trademarks of their respective companies.  
Rev\_0122. Copyright © 2002-2022 by MIND Technology

